

LB943B PARTS LIST

Serial # _____

ID# _____

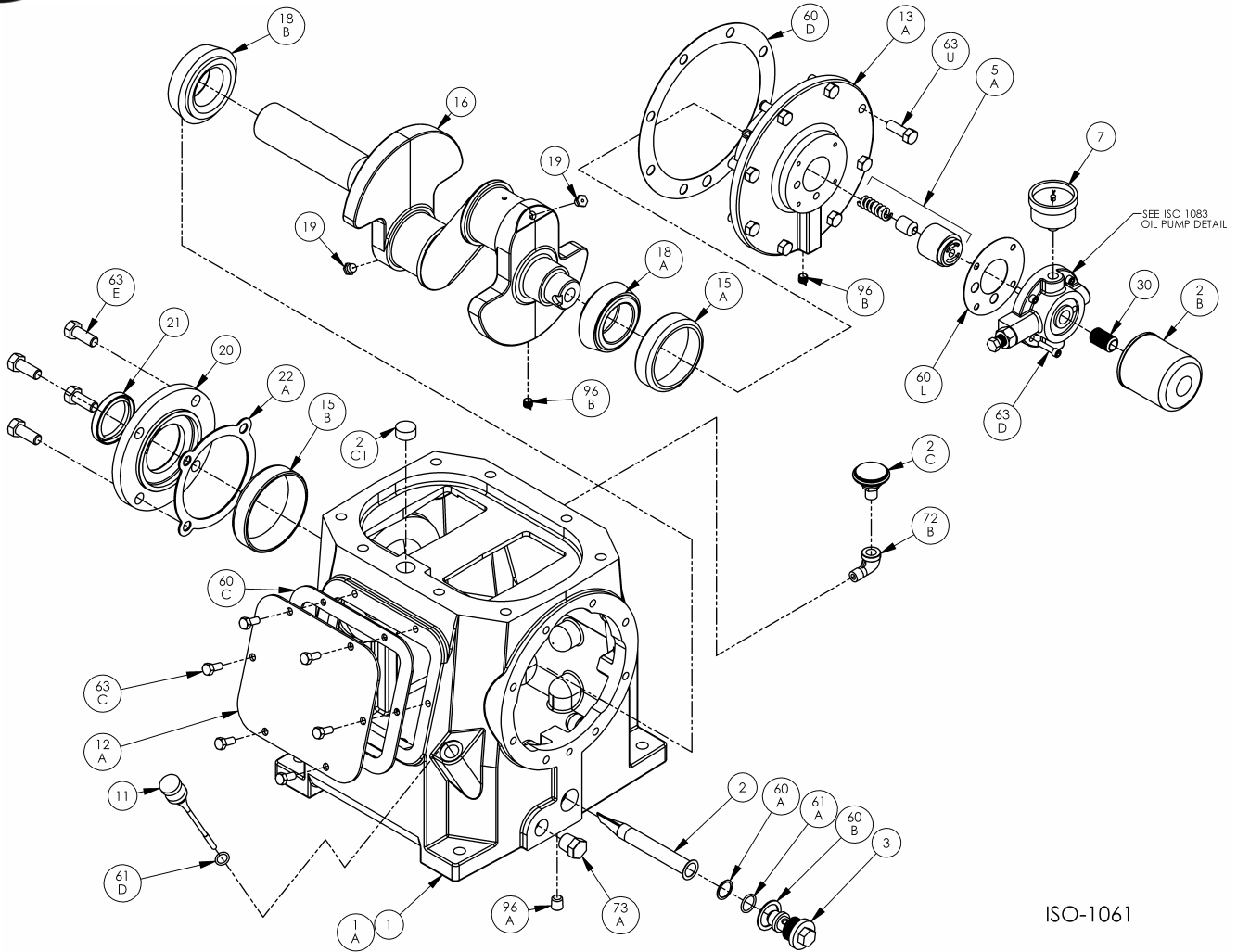
Gasket Sets and Special Tools

Gasket Set	Buna-N & Iron	794992
Packing Installation Tool		790540
Spanner Wrench, 1/4" Adjustable		790316
Wrench for Valve Holdown Screw		790535

Bulletins Needed For Complete Parts List

This page	5E-090
Crankcase	5F-040
Oil Pump	5G-011
Flywheel	5H-030
Crosshead	5J-090
Packing	5K-030
Cylinder	5L-050

Notes:



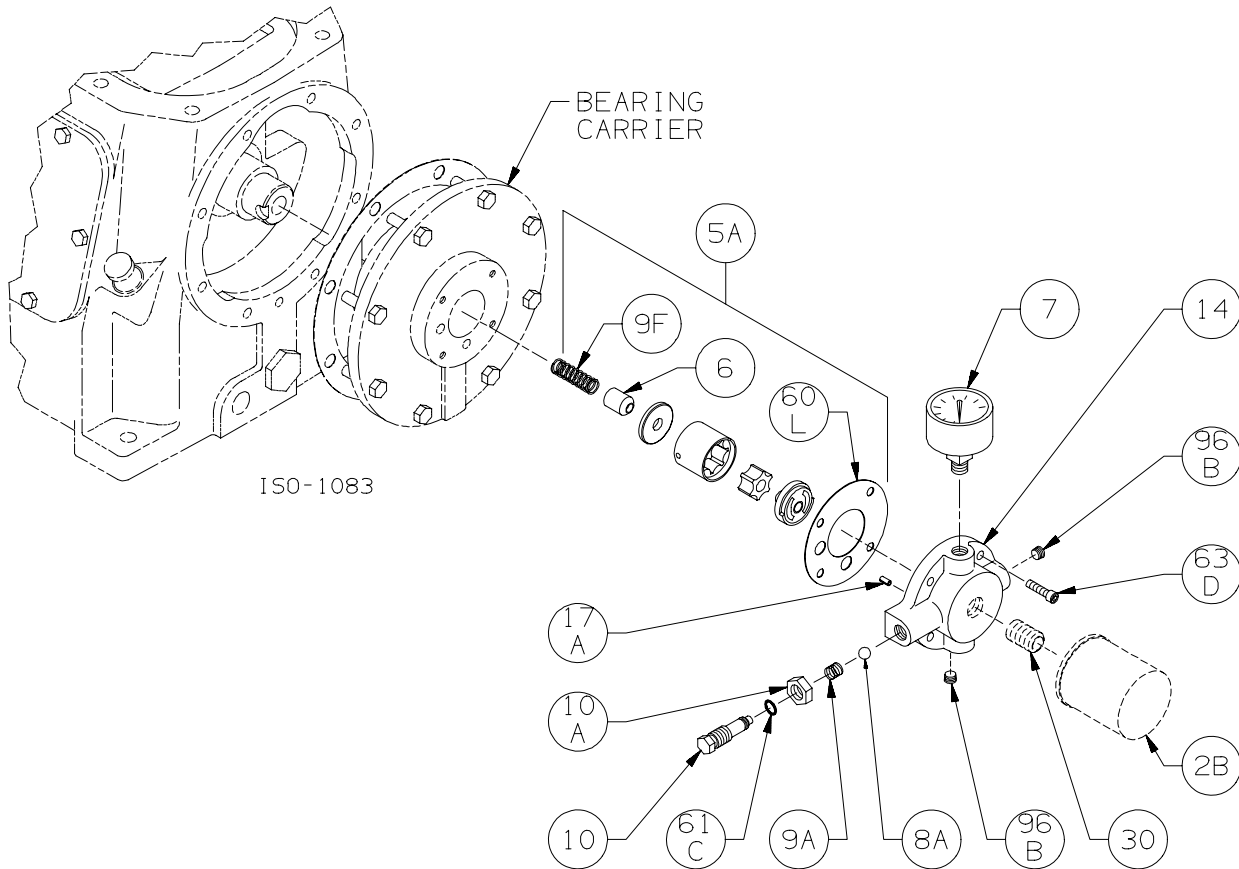
Crankcase Assembly: Model LB942A, LB942B

ISO1056

Ref	Description	Qty	Part No
1	Crankcase Assembly - with Oil Filter	1	794758
1A	Crankcase	1	794709
2	Oil Intake Screen	1	792135
2B	Oil Filter	1	794726
2C	Breather Filter (current)	1	792070
2C1	Breather Filter (Previous Construction)		794752
3	Oil Screen Plug	1	792145
5A	Oil Pump Kit	1	794760
7	Oil Pressure Gauge	1	790012
11	Oil Bayonet Assembly	1	792162
12A	Inspection Plate	1	794140
13A	Bearing Carrier	1	794714
15A	Bearing Cup (Outboard)	1	794131
15B	Bearing Cup (Inboard)	1	794731
16	Crankshaft Assembly (w/ 18A,18B,19,96B)	1	794708
18A	Bearing Cone (Outboard)	1	794130
18B	Bearing Cone (Inboard)	1	794730
19	Orifice	2	792146
20	Bearing Cover Plate	1	794716

Ref	Description	Qty	Part No
21	Oil Seal	1	794732
22A	Bearing Adjustment Shim Kit	1	794733
30	Oil Filter Fitting	1	794725
60A	Gasket - Oil Screen *	1	792136
60B	Gasket - Oil Screen Plug *	1	792123
60C	Gasket - Inspection Plate *	1	794122
60D	Gasket - Bearing Carrier Assembly *	1	794720
60L	Gasket - Oil Pump Cover *	1	794721
61A	O-Ring - Oil Screen *	1	792175
61D	O-Ring - Oil Bayonet *	1	792174
63C	Capscrew - Hex Hd	6	793116
63D	Capscrew - Soc Hd	4	790559
63E	Capscrew - Hex Hd	4	790484
63U	Capscrew - Hex Hd	8	792093
72B	Elbow	1	790453
73A	Pipe Plug	1	790024
96A	Pipe Plug	1	790488
96B	Pipe Plug	2	790309

* Included in Gasket Sets



Oil Pump Detail:

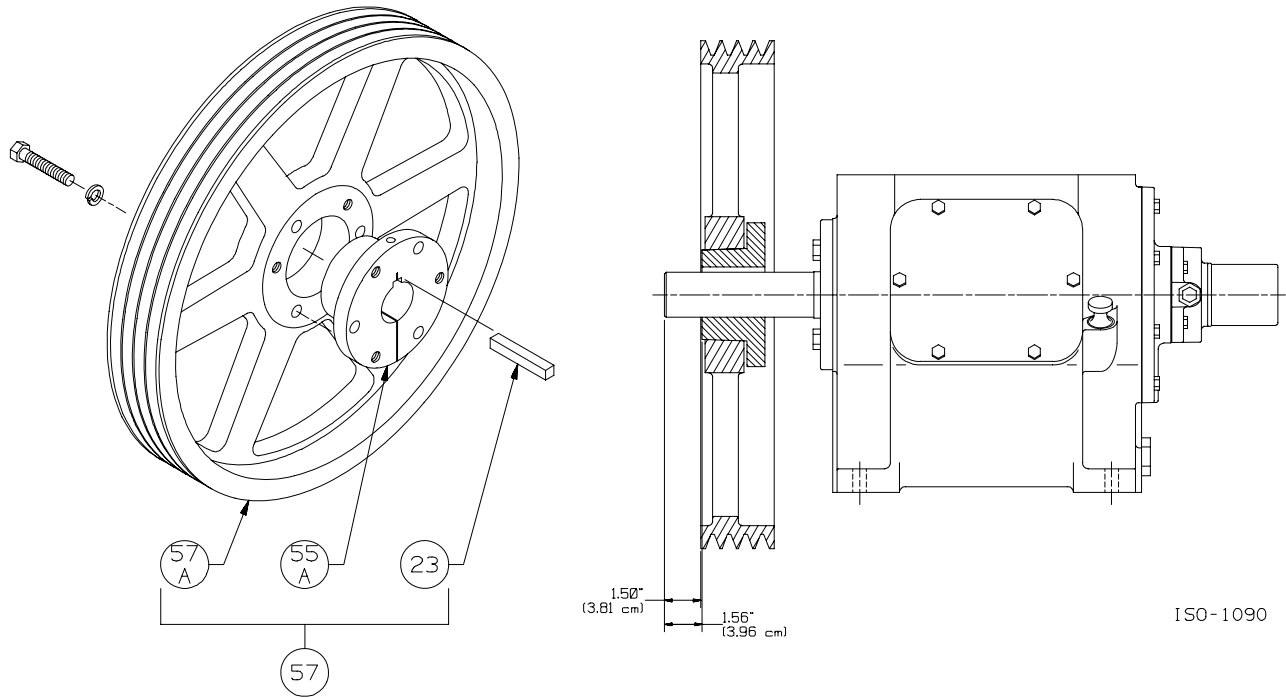
Models LB161B, LB162B, LB361B, LB362C, LB601B, LB602B, LB942A, LB942B

ISO1083

Ref	Description	Qty	Part No
2B	Oil Filter	1	794726
5A	Oil Pump Kit (with 6, 9F, 60L)		794760
6	Oil Pump Cone	1	794750
7	Oil Pressure Gauge	1	790012
8A	Oil Pressure Adj. Ball	1	792154
9A	Oil Pressure Adj. Spring	1	792153
9F	Oil Pump Spring	1	794751
10	Oil Pressure Adj. Screw	1	792148
10A	Locknut	1	792152

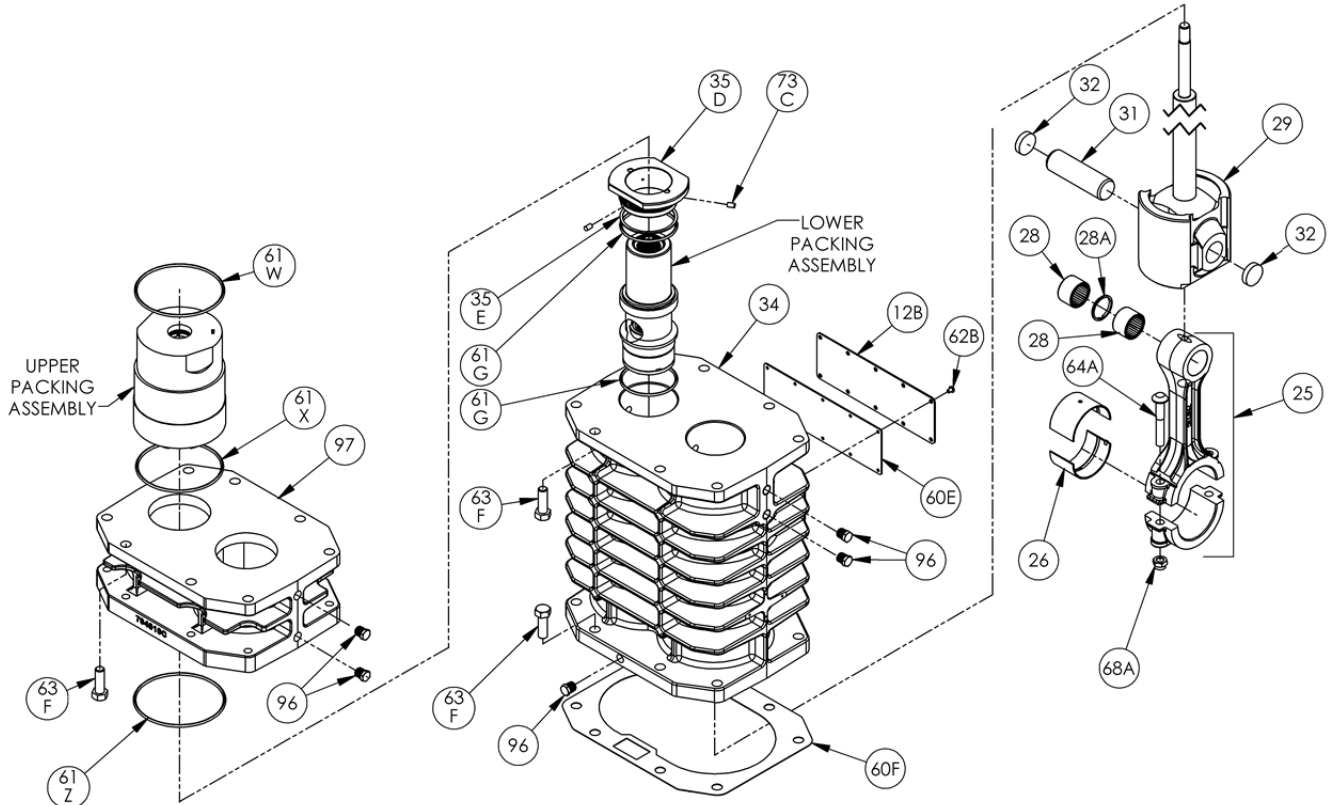
Ref	Description	Qty	Part No
14	Oil Pump Cover Assembly - For Filter	1	794764
	Oil Pump Cover Assembly (both include 17A, 96B)		794763
17A	Roll Pin	1	794753
30	Oil Filter Fitting	1	794725
60L	Gasket - Oil Pump Cover *	1	794721
61C	O-Ring - Adjusting Screw *	1	792168
63D	Capscrew - Socket Head	4	790559
96B	Pipe Plug	2	790309

* Included in Gasket Sets



Flywheel Assembly: LB942A, LB942B ISO1090

Ref	Description	Qty	Part No
23	Key	1	794267
55A	Hub	1	790505
57	Flywheel Assembly	1	794755
57A	Flywheel	1	790539



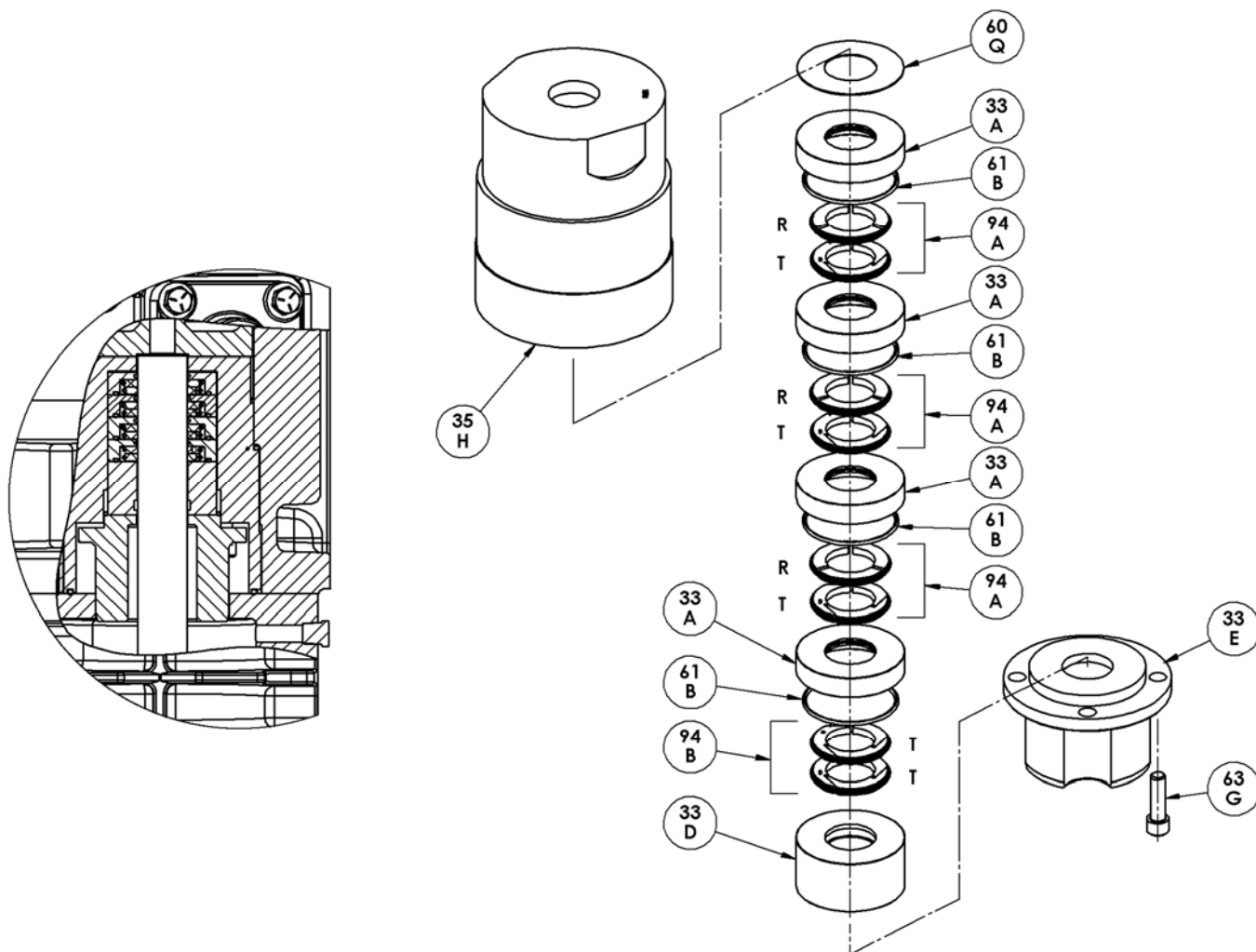
Crosshead Assembly: LB943B

S1174

Ref	Description	Qty	Part No
12B	Inspection Plate	1	794093
25	Connecting Rod Assembly	2	794767
26	Connecting Rod Bearing	2	794710
28	Wrist Pin Bearing	4	794776
28A	Bearing Spacer	2	794770
29	Crosshead Assembly	2	794823
31	Wrist Pin	2	794727
32	Wrist Pin Plug	4	794724
34	Crosshead Guide	1	794430
35D	Hold-down Ring	2	794224
35E	Spacer Ring	2	794403
60E	Gasket - Inspection Plate *	1	794092
60F	Gasket - Crankcase *	1	794121

Ref	Description	Qty	Part No
61G	O-Ring (Buna-N) *	4	794082
61W	O-Ring (Buna-N) *	2	792315
61X	O-Ring (Buna-N) *	2	792252
61Z	O-Ring (Buna-N) *	2	794126
62B	Machine Screw - Inspection Plate	10	793096
63F	Capscrew - Hex Hd	24	794094
64A	Connecting Rod Bolt	4	794012
68A	Connecting Rod Bolt Nut	4	794013
73C	Lock Plug *	6	794028
96	Pipe Plug	9	793498
97	Distance Piece	1	794810

* Included in Gasket Sets



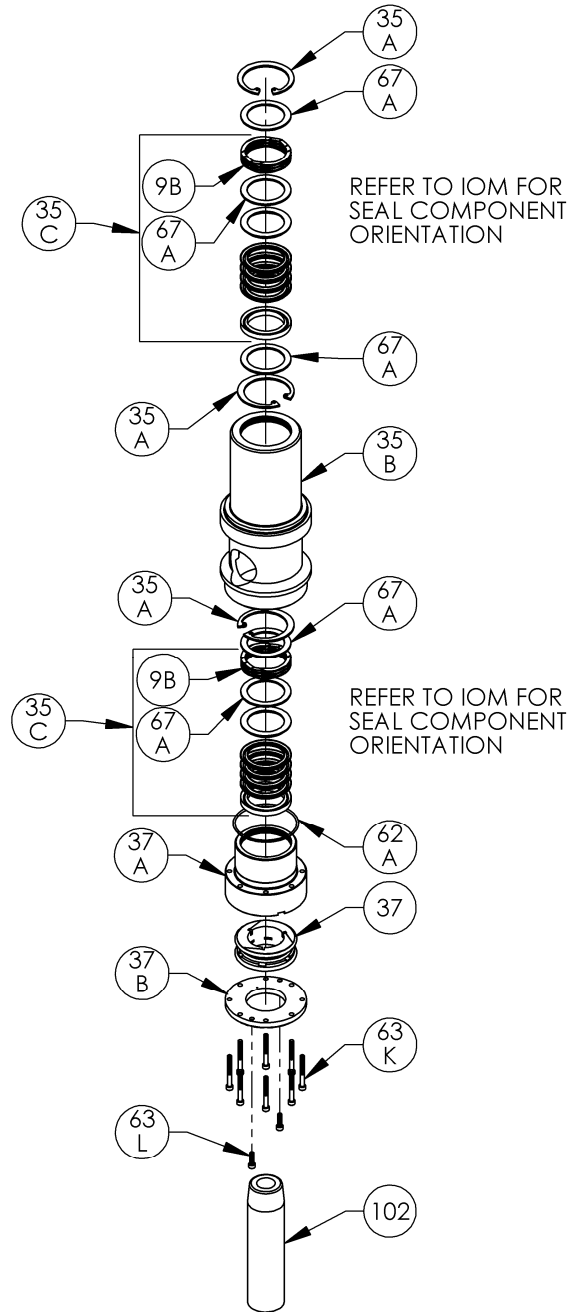
Upper Packing Assembly, Type 'B': LB943B

S1173

Ref	Description	Qty	Part No
33A	Packing Cup	8	794783
33D	Packing Spacer	2	794745
33E	Packing Gland	2	794786
35H	Packing Box - Upper	2	794780
60Q	Gasket - Packing Cup *	2	794754

Ref	Description	Qty	Part No
61B	O-Ring (Buna-N) *	8	792260
63G	Capscrew - Socket Hd	8	790483
94A	Packing Ring - R/T	6	794746
94B	Packing Ring - T/T	2	794747

*Included in Gasket Sets



Lower Packing Box Detail: LB943B

S1175

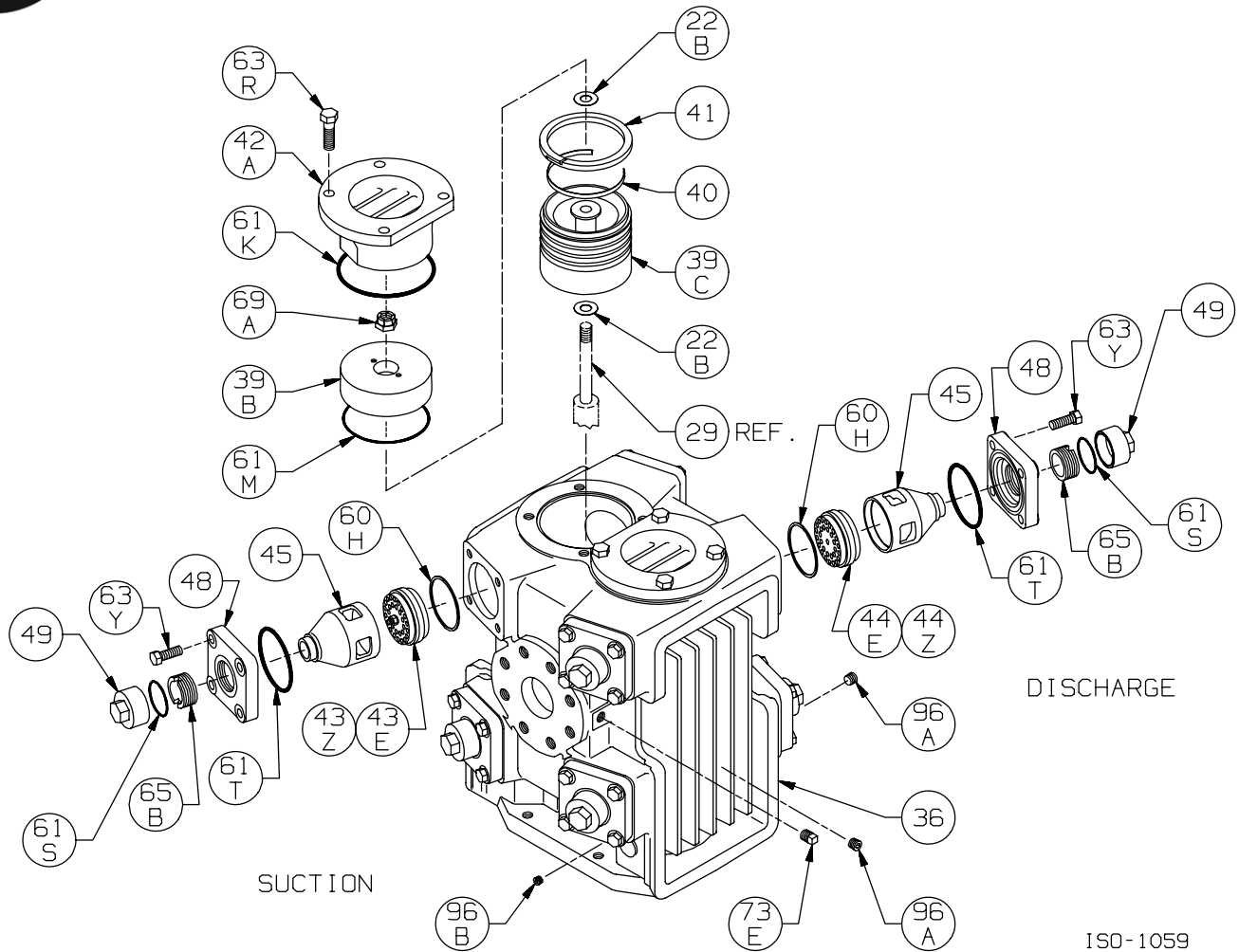
Ref	Description	Qty	Part No
9B	Packing Spring	4	794041
35A	Retainer Ring	6	794080
35B	Packing Box - Lower	2	794445
35C	Packing Set	4	794498
37	S3R Seal	2	794456
37A	Seal Cup	2	794455
37B	Seal Cup Cover	2	794454

Ref	Description	Qty	Part No
62A	O-Ring (Buna-N) *	2	792311
63K	Capscrew - Socket Hd	16	794460
63L	Capscrew - Socket Hd	4	794461
67A	Washer - Packing Box	10	794084
102	Packing Installation Tool	1	790540

*Included in Gasket Sets

Refer to the Compressor IOM for proper orientation of components.





Cylinder Assembly LB942A, LB942B

ISO1059

Ref	Description	Qty	Part No	
22B	Piston Shim	0.007" 0.015"	AR AR	794761 794762
36	Cylinder	1	794704	
39B	Piston Cap	2	794719	
39C	Piston	2	794718	
40	Expander	8	793614	
41	Piston Ring - Std	8	793610	
42A	Head	2	794702	
43E	Suction Valve Assembly	4	793659	
43Z	Valve Repair Kit - For 793659/793679		793660	
44E	Discharge Valve Assembly	4	793679	
44Z	Valve Repair Kit - For 793659/793679		793660	
45	Cage	8	794620	
48	Valve Cover Plate	8	794284	
49	Valve Cap	8	792003	

Ref	Description	Qty	Part No
60H	Gasket - Valve *	8	794198
61K	O-Ring (Buna-N) Std *	2	792315
61M	O-Ring (Buna-N) Std *	2	792060
61S	O-Ring (Buna-N) Std *	8	792306
61T	O-Ring (Buna-N) Std *	8	792112
63R	Capscrew - Hex Hd	8	794097
63Y	Capscrew - Hex Hd	32	793094
65B	Valve Holddown Screw	8	792002
69A	Piston Nut	2	790487
73E	Pipe Plug - 1/4	4	793498
96A	Pipe Plug - 1/4 Socket	4	790488
96B	Pipe Plug - 1/8 Socket	2	790309

AR As Required

* Included in Gasket Sets

Suggested Spare Parts for LB943B compressors:

Part #	Description	Qty./ Unit	Comm. Qty.	Spare Qty.
794992	Gasket Set - Buna-N, Iron	1	1	1
793659 or 793660	Suction Valve or Suction Valve Repair Kit	4		4
793679 or 793660	Discharge Valve or Discharge Valve Repair Kit	4		4
793610	Piston Ring	8	8	8
793614	Piston Ring Expander	8		8
794746	Upper Packing Ring - R/T	10	10	10
794747	Upper Packing Ring - T/T	2	2	2
794498	Lower Packing Set	4	4	4
790540	Packing Installation Tool	1		1
794726	Oil Filter	1	1	6
794727	Wrist Pin	2		2
794776	Wrist Pin Roller Bearing	4	4	4
794710	Conrod Bearing	2	2	2
The following parts would normally be required only for major compressor overhaul.				
794730	Inboard Bearing Cone	1		1
794731	Inboard Bearing Cup	1		1
794130	Outboard Bearing Cone	1		1
794131	Outboard Bearing Cup	1		1
794823	Crosshead Assembly	2		1
794767	Conrod Assembly	2		1
794456	S3R Seal	2		2
794760	Oil Pump Repair Kit	1		
794708	Crankshaft Assembly	1		
794733	Bearing Adjustment Shim Kit	1		
794704	Cylinder	1		