

LB602B PARTS LIST

Serial # _____

ID# _____

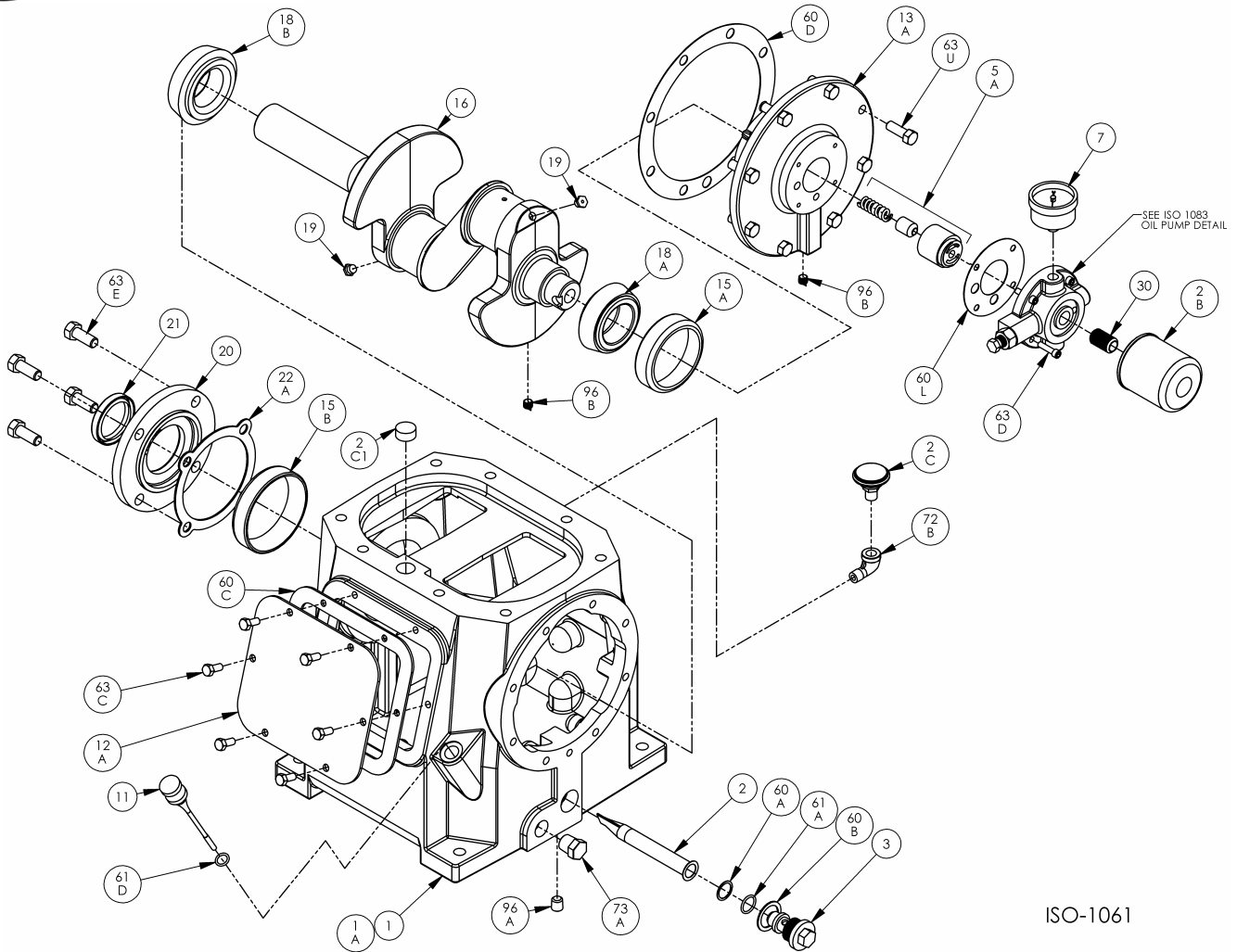
Gasket Set, Repair Kits and Special Tools

| | | |
|---------------------------------|-------------------|--------|
| Gasket Set | Buna-N & Aluminum | 794598 |
| Packing Installation Tool | | 790538 |
| Spanner Wrench, 1/4" Adjustable | | 790316 |
| Tool Kit | | 790199 |

Bulletins Needed For Complete Parts List

| | |
|-----------|--------|
| This page | 5E-061 |
| Crankcase | 5F-031 |
| Oil Pump | 5G-011 |
| Flywheel | 5H-020 |
| Crosshead | 5J-061 |
| Cylinder | 5L-041 |
| Head | 5M-030 |

Notes:



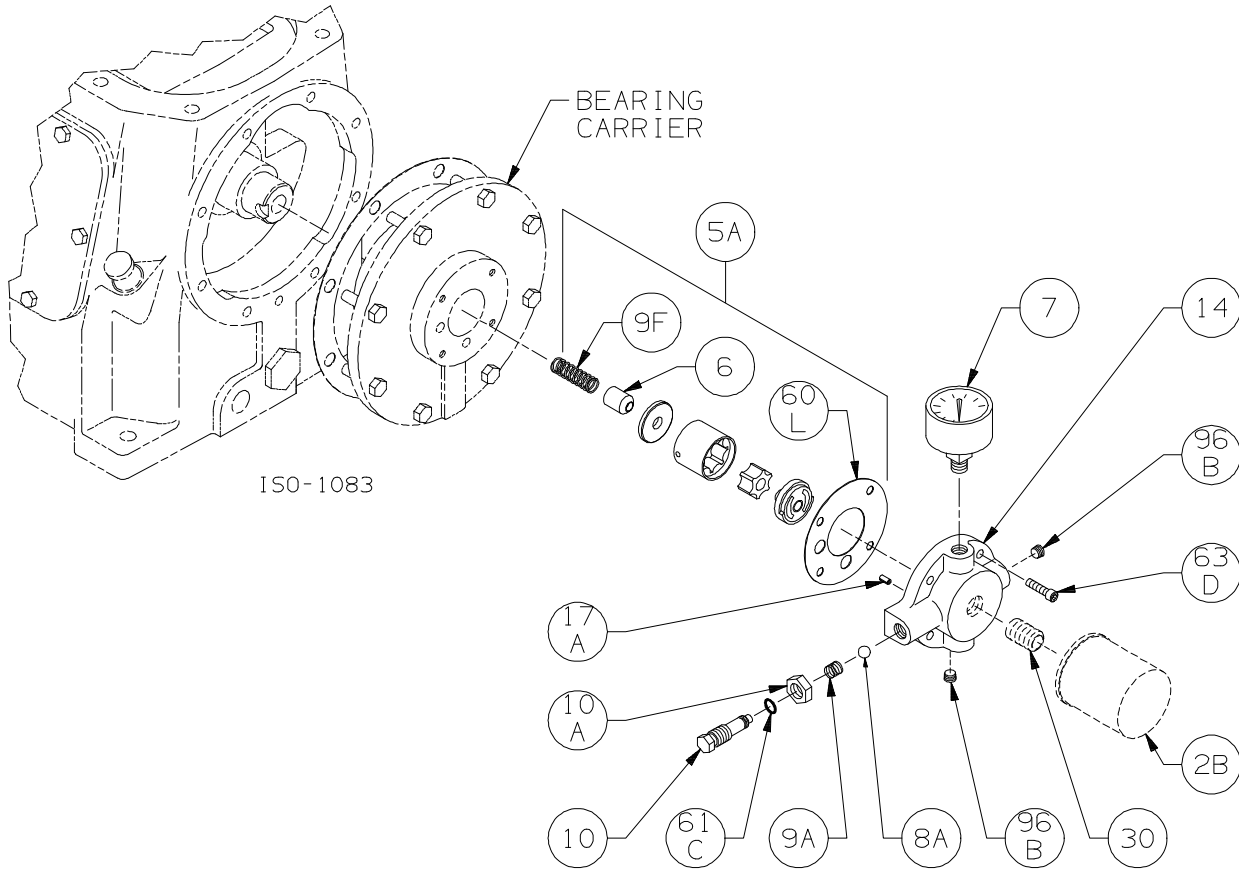
Crankcase Assembly: Models LB601B, LB602B

ISO1061

| Ref | Description | Qty | Part No |
|-----|---|-----|---------|
| 1 | Crankcase Assembly - with Oil Filter | 1 | 794758 |
| | Crankcase Assembly - no Oil Filter | | 794759 |
| 1A | Crankcase | 1 | 794709 |
| 2 | Oil Intake Screen | 1 | 792135 |
| 2B | Oil Filter | 1 | 794726 |
| 2C | Breather Filter (current) | 1 | 792070 |
| 2C1 | Breather Filter (Previous Construction) | | 794752 |
| 3 | Oil Screen Plug | 1 | 792145 |
| 5A | Oil Pump Kit | 1 | 794760 |
| 7 | Oil Pressure Gauge | 1 | 790012 |
| 11 | Oil Bayonet Assembly | 1 | 792162 |
| 12A | Inspection Plate | 1 | 794140 |
| 13A | Bearing Carrier | 1 | 794714 |
| 15A | Bearing Cup (Outboard) | 1 | 794131 |
| 15B | Bearing Cup (Inboard) | 1 | 794731 |
| 16 | Crankshaft Assembly (w/ 18A,18B,19,96B) | 1 | 794708 |
| 18A | Bearing Cone (Outboard) | 1 | 794130 |
| 18B | Bearing Cone (Inboard) | 1 | 794730 |
| 19 | Orifice | 2 | 792146 |

| Ref | Description | Qty | Part No |
|-----|------------------------------------|-----|---------|
| 20 | Bearing Cover Plate | 1 | 794716 |
| 21 | Oil Seal | 1 | 794732 |
| 22A | Bearing Adjustment Shim Kit | 1 | 794733 |
| 30 | Oil Filter Fitting | 1 | 794725 |
| 60A | Gasket - Oil Screen * | 1 | 792136 |
| 60B | Gasket - Oil Screen Plug * | 1 | 792123 |
| 60C | Gasket - Inspection Plate * | 1 | 794122 |
| 60D | Gasket - Bearing Carrier Assembly* | 1 | 794720 |
| 60L | Gasket - Oil Pump Cover * | 1 | 794721 |
| 61A | O-Ring - Oil Screen * | 1 | 792175 |
| 61D | O-Ring - Oil Bayonet * | 1 | 792174 |
| 63C | Capscrew - Hex Hd | 6 | 793116 |
| 63D | Capscrew - Soc Hd | 4 | 790559 |
| 63E | Capscrew - Hex Hd | 4 | 790484 |
| 63U | Capscrew - Hex Hd | 8 | 792093 |
| 72B | Elbow | 1 | 790453 |
| 73A | Pipe Plug | 1 | 790024 |
| 96A | Pipe Plug | 1 | 790488 |
| 96B | Pipe Plug | 2 | 790309 |

* Included in Gasket Sets



Oil Pump Detail:

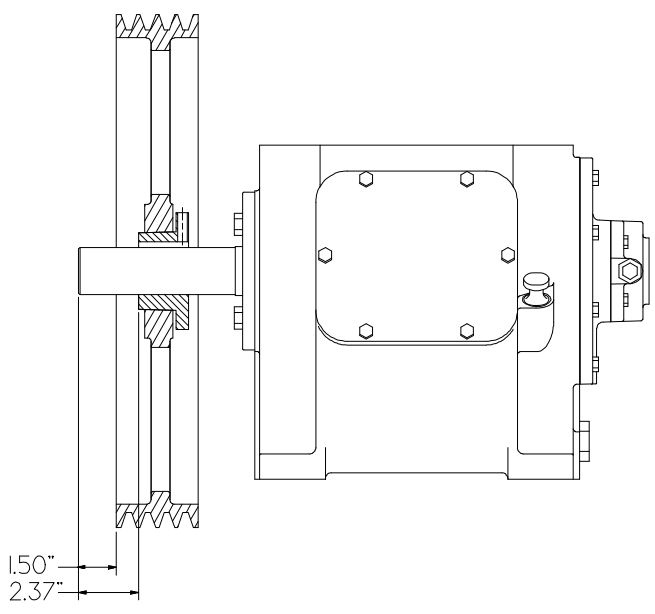
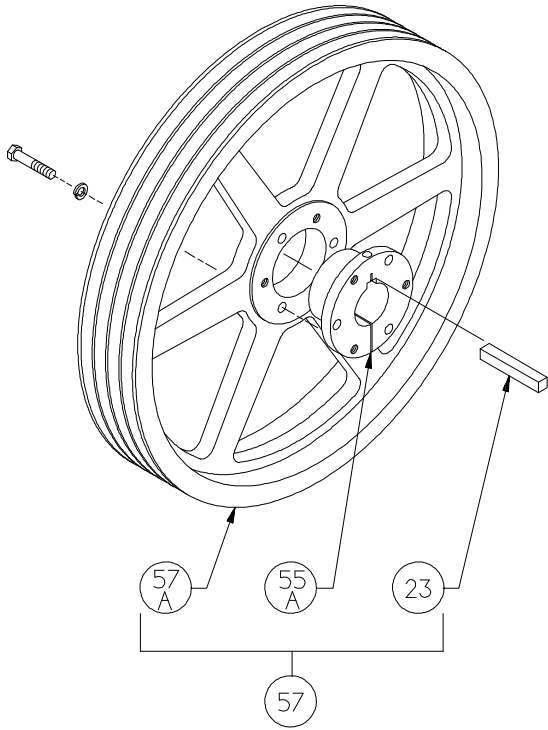
Models LB161B, LB162B, LB361B, LB362C, LB601B, LB602B, LB942A

ISO1083

| Ref | Description | Qty | Part No |
|-----|------------------------------|-----|---------|
| 2B | Oil Filter | 1 | 794726 |
| 5A | Oil Pump Kit (w/ 6, 9F, 60L) | | 794760 |
| 6 | Oil Pump Cone | 1 | 794750 |
| 7 | Oil Pressure Gauge | 1 | 790012 |
| 8A | Oil Pressure Adj. Ball | 1 | 792154 |
| 9A | Oil Pressure Adj. Spring | 1 | 792153 |
| 9F | Oil Pump Spring | 1 | 794751 |
| 10 | Oil Pressure Adj. Screw | 1 | 792148 |
| 10A | Locknut | 1 | 792152 |

| Ref | Description | Qty | Part No |
|-----|--|-----|---------|
| 14 | Oil Pump Cover Assembly (w\ 17A,96B) | 1 | 794763 |
| | Oil Pump Cover Assembly - For Filter (w\ 17A, 96B) | | 794764 |
| 17A | Roll Pin | 1 | 794753 |
| 30 | Oil Filter Fitting | 1 | 794725 |
| 60L | Gasket - Oil Pump Cover * | 1 | 794721 |
| 61C | O-Ring - Adjusting Screw * | 1 | 792168 |
| 63D | Capscrew - Soc. Hd | 4 | 790559 |
| 96B | Pipe Plug | 2 | 790309 |

* Included in Gasket Sets

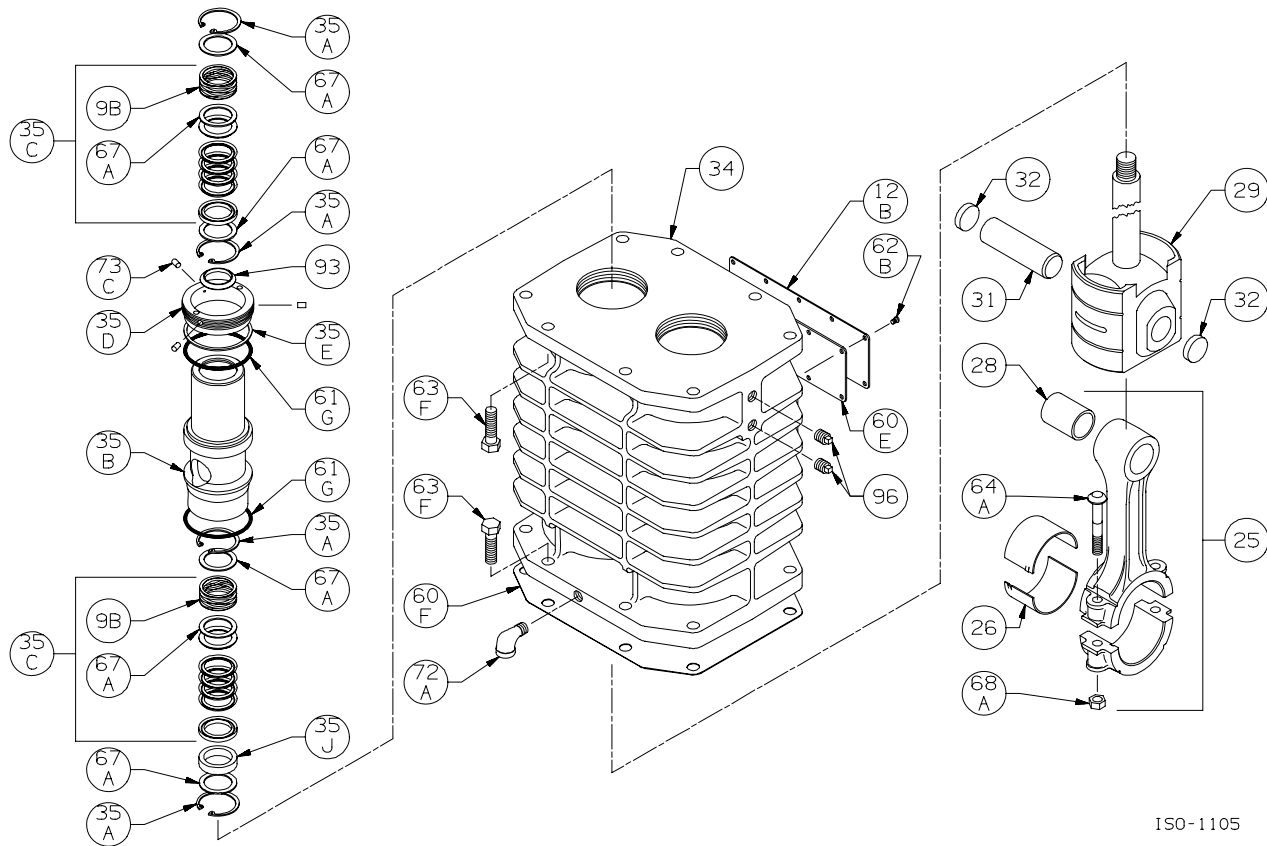


ISO-1084

Flywheel Assembly:
LB601B, LB602B

ISO1084

| Ref | Description | Qty | Part No |
|-----|-------------------|-----|---------|
| 23 | Key | 1 | 794267 |
| 55A | Hub | 1 | 790149 |
| 57 | Flywheel Assembly | 1 | 794132 |
| 57A | Flywheel | 1 | 790545 |



ISO-1105

Crosshead Assembly: LB602B

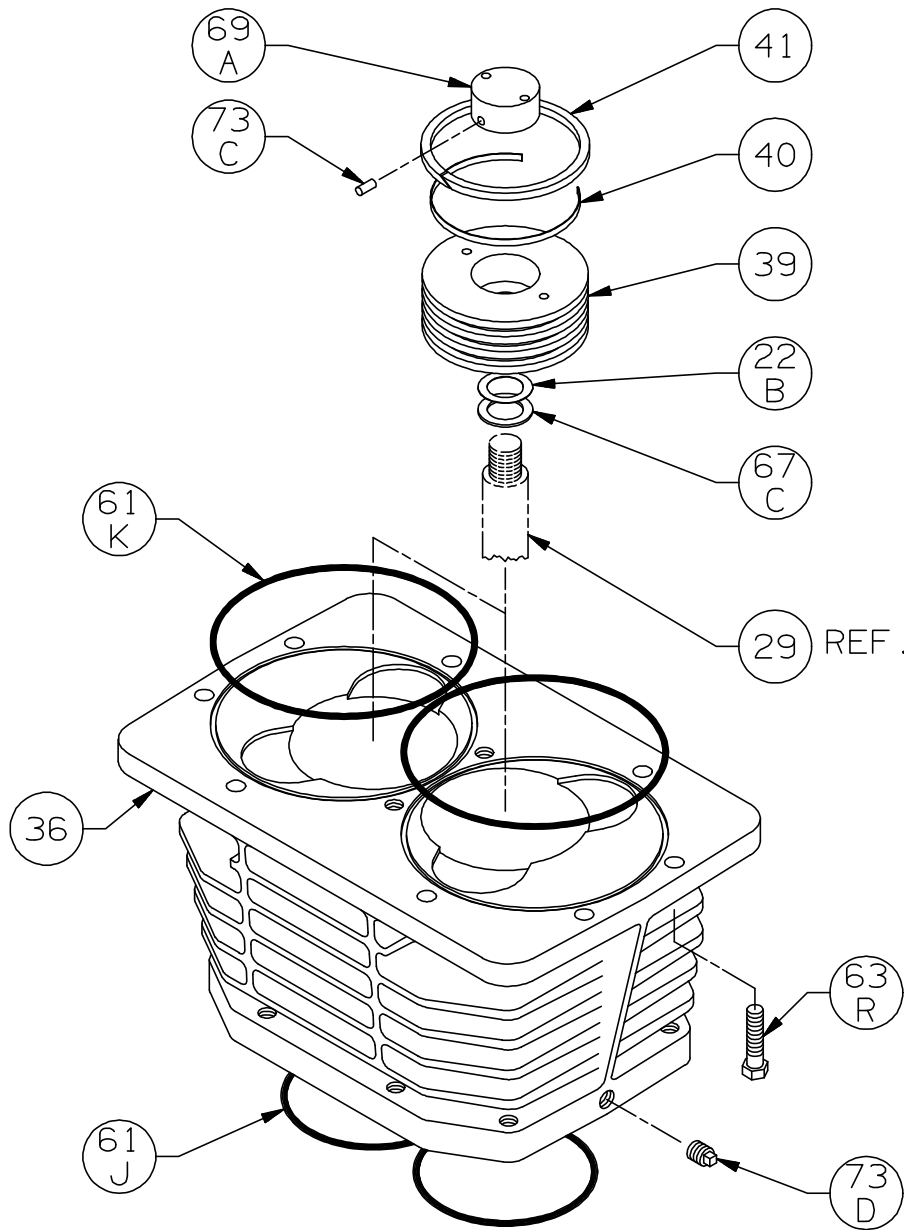
| Ref | Description | Qty | Part No |
|-----|-------------------------|-----|---------|
| 9B | Packing Spring | 4 | 794041 |
| 12B | Inspection Plate | 1 | 794093 |
| 25 | Connecting Rod Assembly | 2 | 794728 |
| 26 | Connecting Rod Bearing | 2 | 794710 |
| 28 | Wrist Pin Bushing ** | 2 | 794749 |
| 29 | Crosshead Assembly | 2 | 794432 |
| 31 | Wrist Pin | 2 | 794727 |
| 32 | Wrist Pin Plug | 4 | 794724 |
| 34 | Crosshead Guide | 1 | 794430 |
| 35A | Retainer Ring | 8 | 794080 |
| 35B | Packing Box | 2 | 794535 |
| 35C | Packing Set | 4 | 794498 |
| 35D | Hold-down Ring | 2 | 794220 |
| 35E | Spacer Ring | 2 | 794403 |

ISO1105

| Ref | Description | Qty | Part No |
|-----|----------------------------------|-----|---------|
| 35J | Packing Bushing | 2 | 794043 |
| 60E | Gasket - Inspection Plate * | 1 | 794092 |
| 60F | Gasket - Crankcase * | 1 | 794121 |
| 61G | O-Ring (Buna-N) * | 4 | 794082 |
| 62B | Machine Screw - Inspection Plate | 10 | 793096 |
| 63F | Capscrew - Hex Hd | 16 | 794094 |
| 64A | Connecting Rod Bolt | 4 | 794012 |
| 67A | Washer - Packing Box | 12 | 794084 |
| 68A | Connecting Rod Bolt Nut | 4 | 794013 |
| 72A | Elbow - Vent | 1 | 790453 |
| 73C | Lock Plug * | 6 | 794028 |
| 93 | Oil Deflector Ring | 2 | 794478 |
| 96 | Pipe Plug | 4 | 793498 |

*Included in Gasket Sets

** Must be honed after installing



ISO-1021

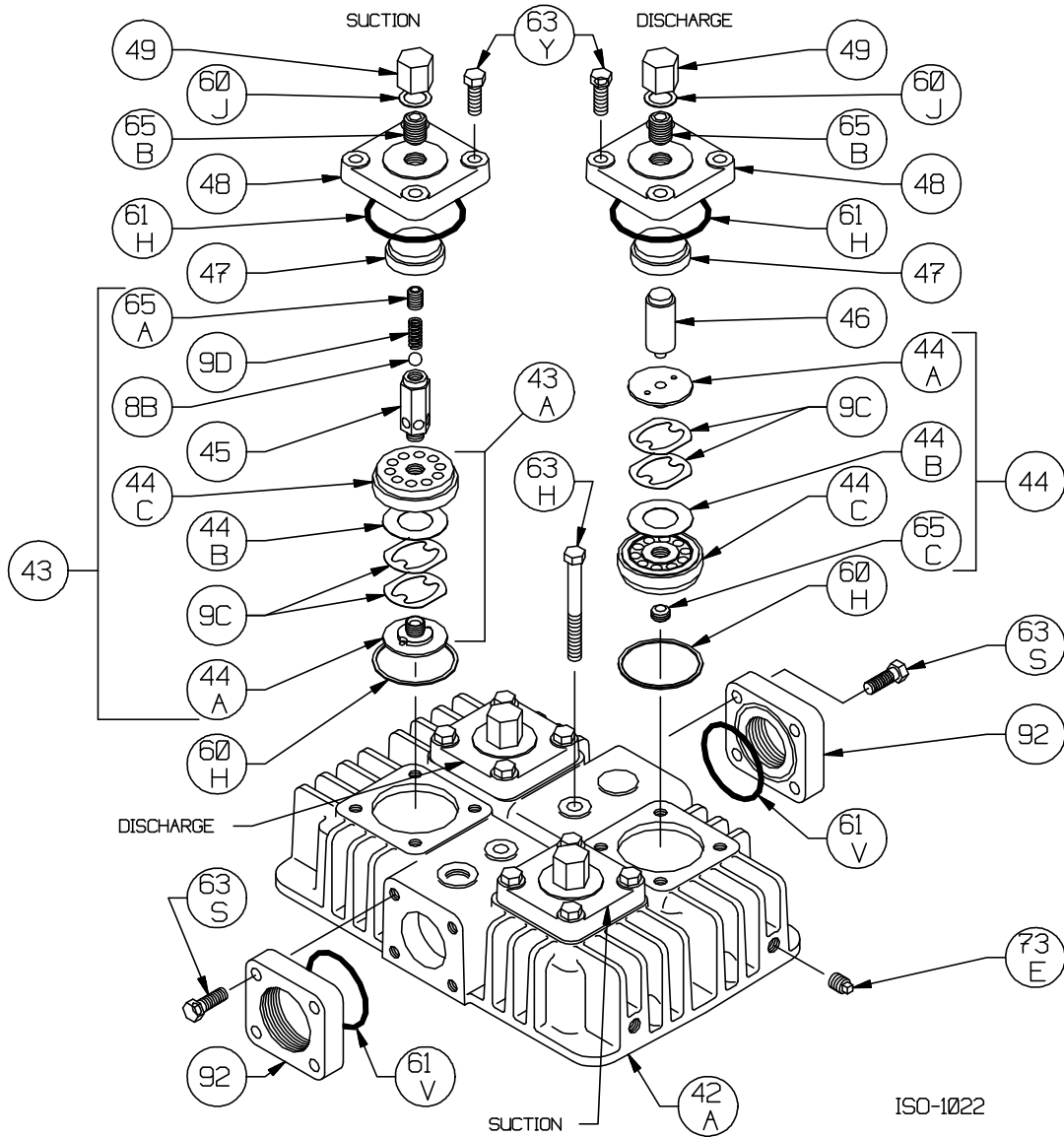
Cylinder Assembly: LB601B, LB602A, LB602B

ISO1021

| Ref | Description | Qty | Part No |
|-----|----------------------|-----|---------|
| 22B | Piston Shim - 0.015" | AR | 794434 |
| | Piston Shim - 0.007" | AR | 794436 |
| 36 | Cylinder | 1 | 794103 |
| 39 | Piston | 2 | 794421 |
| 40 | Expander | 6 | 794025 |
| 41 | Piston Ring | 6 | 794024 |
| 61J | O-Ring * | 2 | 794126 |

| Ref | Description | Qty | Part No |
|-----|-------------------|-----|---------|
| 61K | O-Ring * | 2 | 794104 |
| 63R | Capscrew - Hex Hd | 8 | 794097 |
| 67C | Thrust Washer | 2 | 794433 |
| 69A | Piston Nut | 2 | 794422 |
| 73C | Lock Plug * | 4 | 794222 |
| 73D | Pipe Plug | 1 | 793498 |

* Included in Gasket Sets



Head Assembly: LB601A, LB601B, LB602A, LB602B

ISO1022

| Ref | Description | Qty | Part No |
|-----|----------------------------|-----|---------|
| 8B | Liquid Relief Valve Ball | 2 | 792042 |
| 9C | Valve Spring | 8 | 794038 |
| 9D | Liquid Relief Valve Spring | 2 | 792045 |
| 42A | Head | 1 | 794102 |
| 43 | Suction Valve Assembly | 2 | 794269 |
| 43A | Valve Sub-Assembly | | 794259 |
| 44 | Discharge Valve Assembly | 2 | 794279 |
| 44A | Valve Bumper | 4 | 794235 |
| 44B | Valve Disc | 4 | 794037 |
| 44C | Valve Body | 4 | 794236 |
| 45 | Liquid Relief Valve Body | 2 | 794046 |
| 46 | Post | 2 | 794034 |
| 47 | Valve Spacer | 4 | 793061 |
| 48 | Valve Cover Plate | 4 | 794071 |
| 49 | Valve Cap | 4 | 793072 |

| Ref | Description | Qty | Part No |
|-----|-----------------------------|-----|---------|
| 60H | Gasket - Valve * | 4 | 794107 |
| 60J | Gasket - Valve Cap * | 4 | 793108 |
| 61H | O-Ring * | 4 | 792112 |
| 61V | O-Ring * | 2 | 792412 |
| 63Y | Capscrew - Hex Hd | 16 | 793094 |
| 63H | Capscrew - Hex Hd | 2 | 794115 |
| 63S | Capscrew - Hex Hd | 8 | 794096 |
| 65A | Liquid Relief Valve Screw | 2 | 794014 |
| 65B | Valve Holddown Screw | 4 | 794068 |
| 65C | Screw | 2 | 794042 |
| 73E | Pipe Plug | 2 | 793498 |
| 92 | Flange-Inlet (2 NPT) Std | 1 | 794117 |
| | Flange-Outlet (1.5 NPT) Std | 1 | 794116 |
| | Flange (1.25 NPT) | | 794118 |

* Included in Gasket Sets

Suggested Spare Parts for LB602B Compressors:

| Part # | Description | Qty./Unit | Comm. Qty. | Spare Qty. |
|--------|-------------------------------|-----------|------------|------------|
| 794598 | Gasket Set - Buna-N, Aluminum | 1 | 1 | 1 |
| 794259 | Suction Valve Sub-Assembly | 2 | | 2 |
| 794279 | Discharge Valve | 2 | | 2 |
| 794024 | Piston Ring | 6 | 6 | 6 |
| 794025 | Piston Ring Expander | 6 | 6 | 6 |
| 794498 | Packing Set | 4 | 4 | 4 |
| 794726 | Oil Filter | 1 | | 6 |
| 794727 | Wrist Pin | 2 | | 2 |
| 794749 | Wrist Pin Bushing | 2 | 2 | 2 |
| 794710 | Conrod Bearing | 2 | 2 | 2 |

The following parts would normally be required only for major compressor overhaul.

| | | | | |
|--------|-----------------------------|---|--|---|
| 794730 | Inboard Bearing Cone | 1 | | 1 |
| 794731 | Inboard Bearing Cup | 1 | | 1 |
| 794130 | Outboard Bearing Cone | 1 | | 1 |
| 794131 | Outboard Bearing Cup | 1 | | 1 |
| 794432 | Crosshead Assembly | 2 | | 1 |
| 794728 | Conrod Assembly | 2 | | 1 |
| 794760 | Oil Pump Repair Kit | 1 | | |
| 794708 | Crankshaft Assembly | 1 | | |
| 794733 | Bearing Adjustment Shim Kit | 1 | | |
| 794103 | Cylinder | 1 | | |