

Suggested Spare Parts for LB601 and LB601A Compressors:

Part #	Description	Qty./ Unit	Comm. Qty.	Spare Qty.
794099	Gasket Set - Buna-N, Aluminum	T 1	1	1
794259	Suction Valve Sub-Assembly	T 2		2
794279	Discharge Valve	T 2		2
794024	Piston Ring	T 6	6	6
794025	Piston Ring Expander	T 6	6	6
794499	Packing Set	T 2	2	2
790004	Oil Filter (Package of 6)*	1		1
794004	Wrist Pin	I 2		2
793003	Wrist Pin Bushing	I 2	2	2
794002	Conrod Bearing	I 2	2	2

The following parts would normally be required only for major compressor overhaul.

794029	Crosshead Assembly	I 2		1
794130	Inboard Bearing Cone	1		1
793142	Outboard Bearing Cone	1		1
794131	Inboard Bearing Cup	1		1
793126	Outboard Bearing Cup	1		1
794009	Conrod Assembly	2		1
794159	Crankshaft Assembly with Bearing Cones	1		
794033	Bearing Adjustment Shim Kit	1		
798856	Oil Pump Repair Kit	1		
794103	Cylinder LB601A	1		
794101	Cylinder LB601			

The Following Spare Parts Kits Are Available

794229	Top End Kit (Includes 'T' Parts)			
794230	Intermediate Kit (Includes 'T' and 'I' Parts)			

\* Optional Equipment on New Compressors

## LB601 and LB601A PARTS LIST

Serial # \_\_\_\_\_

ID# \_\_\_\_\_

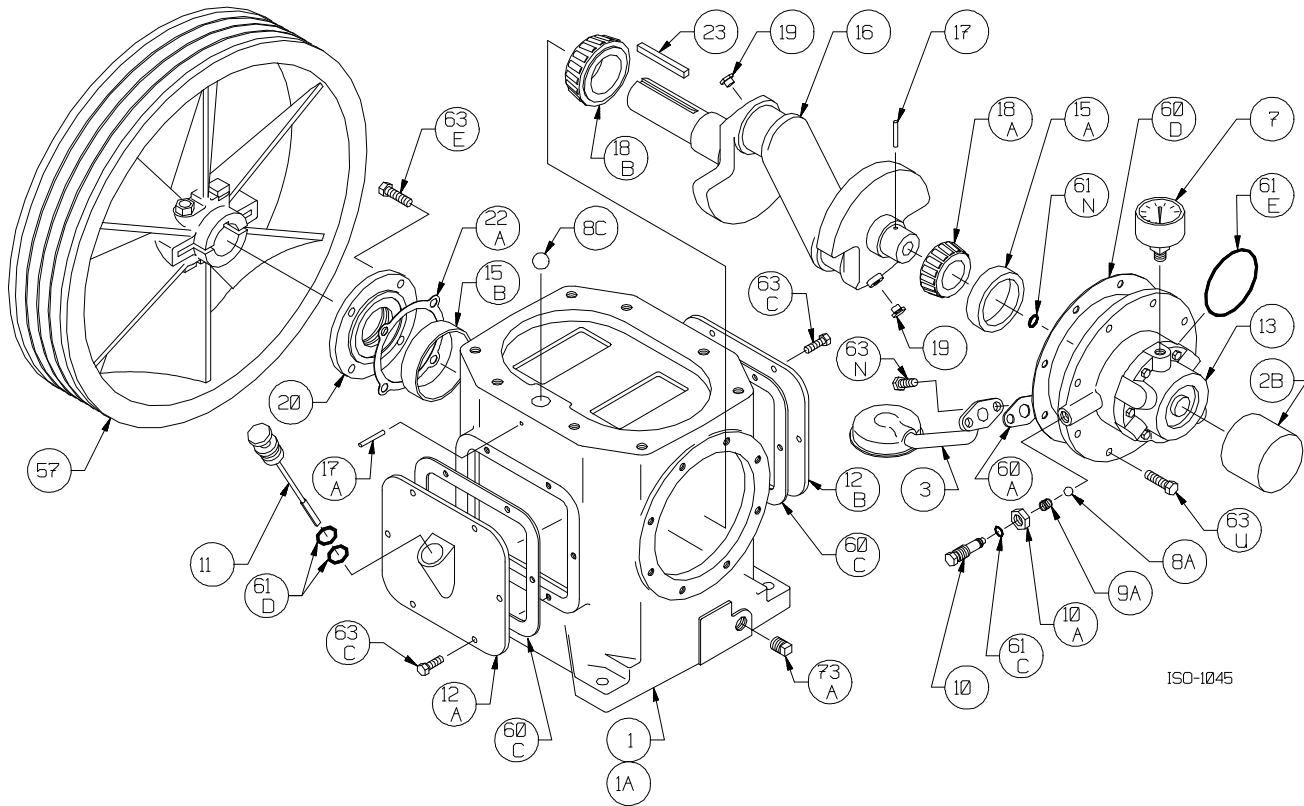
### Gasket Set, Repair Kits and Special Tools

Gasket Set (Buna-N & Aluminum)	794099
Top End Repair Kit Includes Piston Rings & Expanders, Packing Sets, Valves, Gaskets & O-rings	794229
Intermediate Repair Kit Includes Top End Kit plus Wrist Pins & Bushings, Connecting Rod Bearings, and Crossheads.	794230
Packing Installation Tool	790538
Spanner Wrench, 1/4" Adjustable	790316
Tool Kit	790199

### Bulletins Needed For Complete Parts List

	LB601	LB601A
This page	5E-050	5E-050
Crankcase	5F-030	5F-030
Oil Pump	5G-010	5G-010
Crosshead	5J-050	5J-050
Cylinder	5L-002	5L-040
Head	5M-002	5M-030

Notes:



ISO-1045

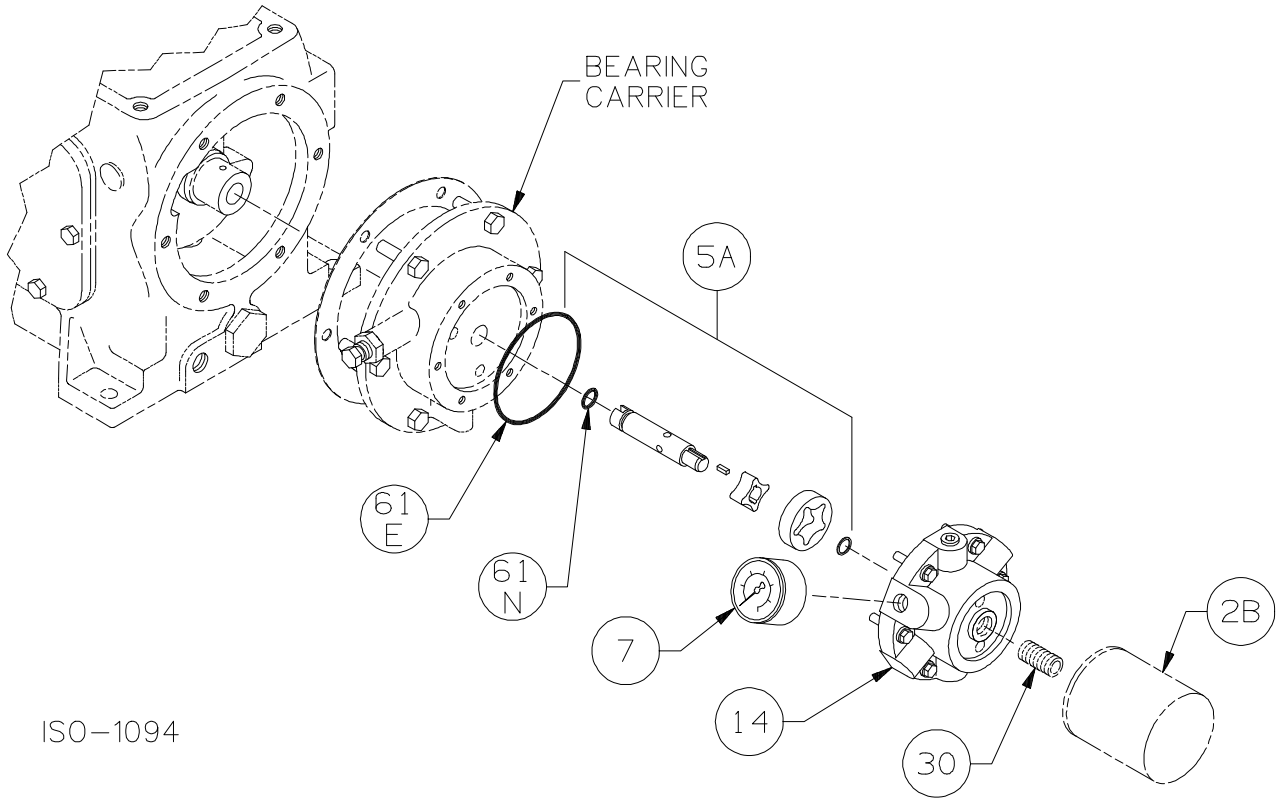
**Crankcase Assembly: Models LB601, LB601A, LB602, LB602A**

ISO1045

Ref	Description	Qty	Part No
1	Crankcase Assembly (less flywheel)	1	794119
1A	Crankcase	1	794138
2B	Oil Filter (Package of 6)	1	790004
3	Oil Strainer Assembly	1	794169
7	Oil Pressure Gauge	1	790012
8A	Oil Pressure Adjusting Ball	1	792154
8C	Breather Ball	1	794156
9A	Oil Pressure Adjusting Spring	1	792153
10	Oil Pressure Adjusting Screw	1	792148
10A	Locknut	1	792152
11	Oil Bayonet Assembly	1	794199
12A	Inspection Plate - Bayonet	1	794141
12B	Inspection Plate - Plain	1	794140
13	Bearing Carrier Assembly Bearing Carrier Assy. with Oil Filter	1	794219 794223
15A	Bearing Cup (Outboard)	1	793126
15B	Bearing Cup (Inboard)	1	794131
16	Crankshaft Assembly (w\ 18A,18B & 19)	1	794159
17	Oil Pump Drive Pin	1	794146
18A	Bearing Cone (Outboard)	1	793142

Ref	Description	Qty	Part No
18B	Bearing Cone (Inboard)	1	794130
19	Orifice	2	792146
20	Bearing Cover Plate	1	794137
22A	Bearing Adjustment Shim Kit	1	794033
23	Key	1	794166
57	Flywheel Assembly	1	794128
60A	Gasket - Oil Strainer Assembly *	1	794123
60C	Gasket - Inspection Plate *	2	794122
60D	Gasket - Bearing Carrier Assy. *	1	794124
61C	O-Ring - Adjusting Screw *	1	792168
61D	O-Ring - Oil Bayonet *	2	794163
61E	O-Ring - Oil Pump Cover *	1	792186
61N	O-Ring - Oil Pump Shaft *	1	792174
63C	Capscrew - Hex Hd	12	793116
63E	Capscrew - Hex Hd	4	793158
63N	Capscrew - Hex Hd	2	792093
63U	Capscrew - Hex Hd	8	792093
73A	Pipe Plug	1	790024

\* Included in Gasket Sets



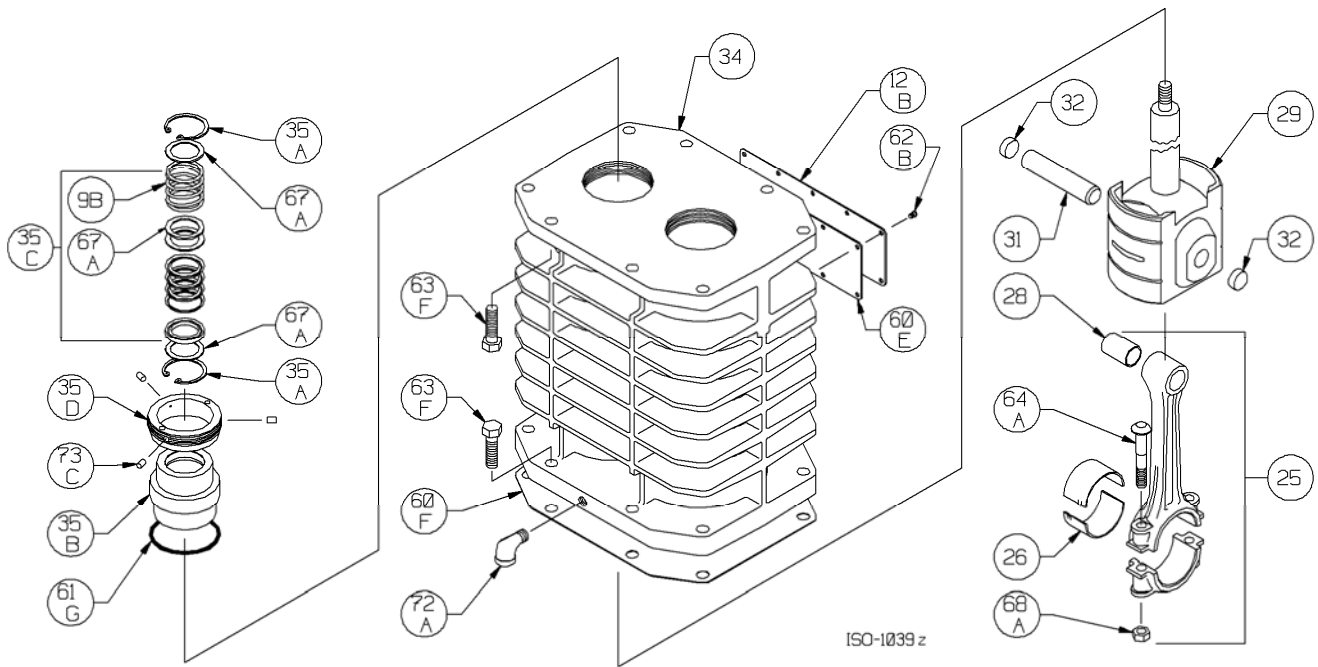
ISO-1094

Oil Pump Detail: Models LB161, LB162,  
LB361, LB361A, LB362, LB362A, LB362B  
LB601, LB601A, LB602, LB602A

S1094

Ref	Description	Qty	Part No
2B	Oil Filter (Package of 6)	1	790004
5A	Oil Pump Kit (w/ 61E, 61N) LB161, LB162, LB361, LB361A, LB362, LB362A, LB362B LB601, LB601A, LB602, LB602A	1	798855
		1	798856
7	Oil Pressure Gauge	1	790012
14	Oil Pump Cover	1	792181
	Oil Pump Cover - For Filter		790001
30	Oil Filter Fitting	1	790002
61E	O-Ring - Oil Pump Cover *	1	792186
61N	O-Ring - Oil Pump Shaft *	1	792174

\* Included in Gasket Sets



Crosshead Assembly: LB601 and LB601A

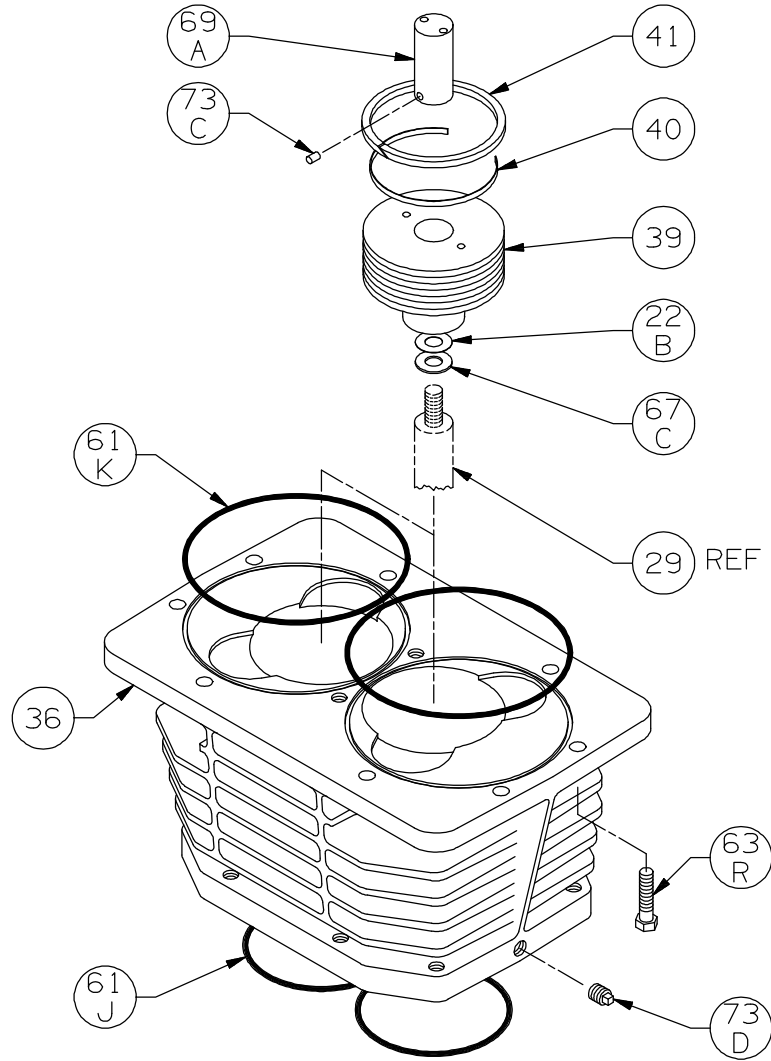
ISO1039

Ref	Description	Qty	Part No
9B	Packing Spring	2	794083
12B	Inspection Plate	1	794093
25	Connecting Rod Assembly	2	794009
26	Connecting Rod Bearing	2	794002
28	Wrist Pin Bushing **	2	793003
29	Crosshead Assembly	2	794029
31	Wrist Pin	2	794004
32	Wrist Pin Plug	4	792178
34	Crosshead Guide	1	794091
35A	Retainer Ring	4	794080
35B	Packing Box	2	794221
35C	Packing Set	2	794499

Ref	Description	Qty	Part No
35D	Hold-down Ring	2	794220
60E	Gasket - Inspection Plate *	1	794092
60F	Gasket - Crankcase *	1	794121
61G	O-Ring *	2	794082
62B	Machine Screw - Inspection Plate	10	793096
63F	Capscrew - Hex Hd	16	794094
64A	Connecting Rod Bolt	4	794012
67A	Washer - Packing Box	6	794084
68A	Connecting Rod Bolt Nut	4	794013
72A	Elbow - Vent	1	790453
73C	Lock Plug *	6	794028

\*Included in Gasket Sets

\*\* Must be honed after installing



ISO-1020

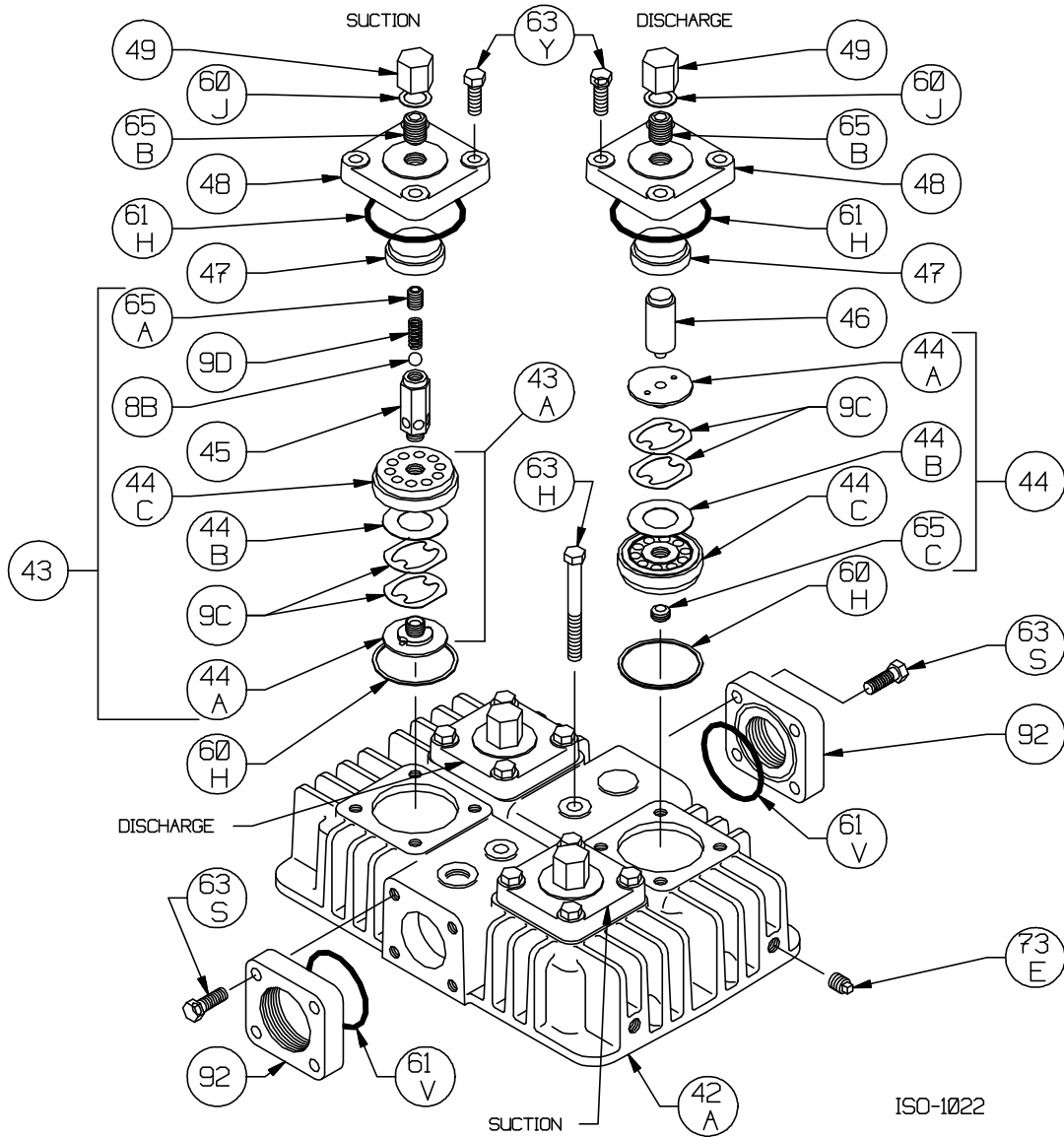
Cylinder Assembly: LB601A

ISO1020

Ref	Description	Qty	Part No
22B	Piston Shim - 0.015	AR	794434
	Piston Shim - 0.007	AR	794436
36	Cylinder	1	794103
39	Piston	2	794021
40	Expander	6	794025
41	Piston Ring	6	794024
61J	O-Ring *	2	794126

Ref	Description	Qty	Part No
61K	O-Ring *	2	794104
63R	Capscrew - Hex Hd	8	794097
67C	Thrust Washer	2	792033
69A	Piston Nut	2	794022
73C	Lock Plug *	4	794028
73D	Pipe Plug	1	793498

\* Included in Gasket Sets



Head Assembly: LB601A, LB601B, LB602A, LB602B

ISO1022

Ref	Description	Qty	Part No
8B	Liquid Relief Valve Ball		792042
9C	Valve Spring		794038
9D	Liquid Relief Valve Spring		792045
42A	Head		794102
43	Suction Valve Assembly		794269
43A	Valve Sub-Assembly		794259
44	Discharge Valve Assembly		794279
44A	Valve Bumper		794235
44B	Valve Disc		794037
44C	Valve Body		794236
45	Liquid Relief Valve Body		794046
46	Post		794034
47	Valve Spacer		793061
48	Valve Cover Plate		794071
49	Valve Cap		793072

Ref	Description	Qty	Part No
60H	Gasket - Valve *		794107
60J	Gasket - Valve Cap *		793108
61H	O-Ring *		792112
61V	O-Ring *		792412
63Y	Capscrew - Hex Hd		793094
63H	Capscrew - Hex Hd		794115
63S	Capscrew - Hex Hd		794096
65A	Liquid Relief Valve Screw		794014
65B	Valve Holddown Screw		794068
65C	Screw		794042
73E	Pipe Plug		793498
92	Flange-Inlet (2 NPT) Std		794117
	Flange-Outlet (1.5 NPT) Std		794116
	Flange (1.25 NPT)		794118

\* Included in Gasket Sets