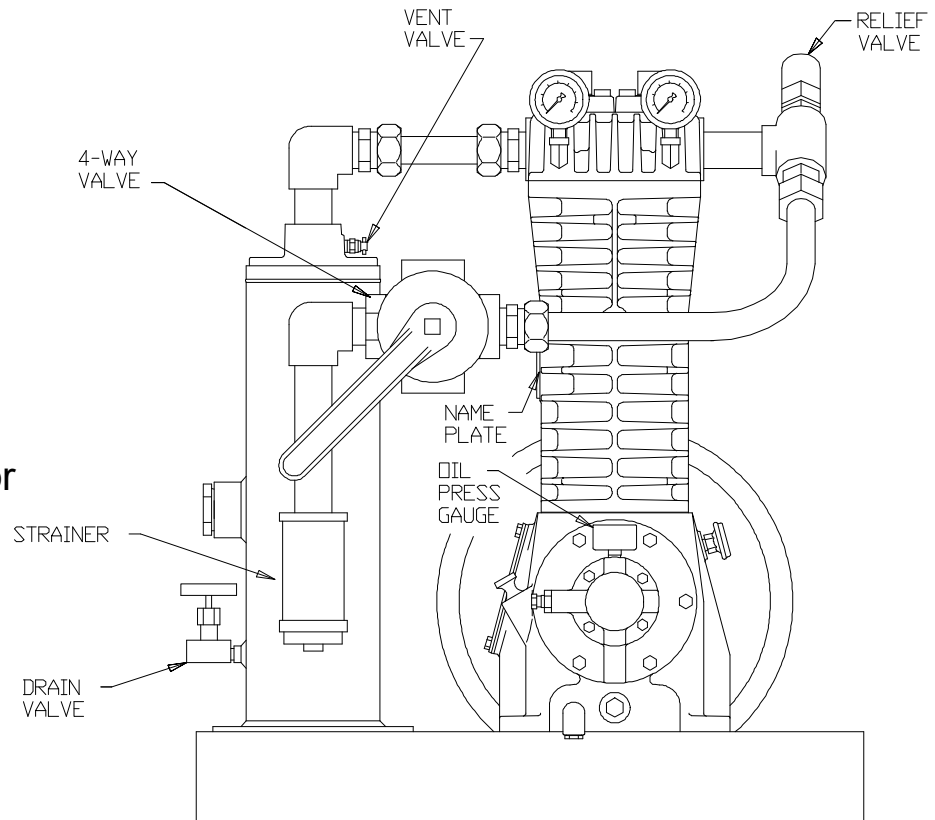


COMPRESSOR SOLUTIONS

LB361-ELU

Truck Mounted
LPG Compressor

Gas: Propane
n=1.13
MW=44.1



GC1117

Inlet: 63 - 200 psig
(4.4 - 14.1 kg/cm²g)
Ambient Temperature

Outlet: 75 - 225 psig
(5.3 - 15.8 kg/cm²g)

COMPRESSOR TRIM and ACCESSORIES

Ductile Iron Cylinder

Buna-N O-rings

Aluminum Gaskets

Suction Strainer

Discharge Relief Valve

Oil Pressure Gauge

Liquid Trap with
Mechanical Float

Suction and Discharge
Pressure Gauges

4-Way Flow Control Valve

DRIVER

Blackmer HyDrive or Engine PTO Shaft

This LB361-ELU is fitted on a shortened and specially strengthened baseplate to allow it to be mounted on a truck. Mounting the compressor on the truck allows deliveries to be made to virtually any location as no transfer equipment need be installed at each delivery site. Driven by a Blackmer Hydrive system or the truck's PTO, the LB361 will transfer propane at up to 200 gpm (750 lpm). The same compressor can also be used to empty a 'pup' (a second tank towed behind the delivery truck). After emptying all the liquid propane, the 4-way valve is reversed and the remaining vapors are recovered as well.